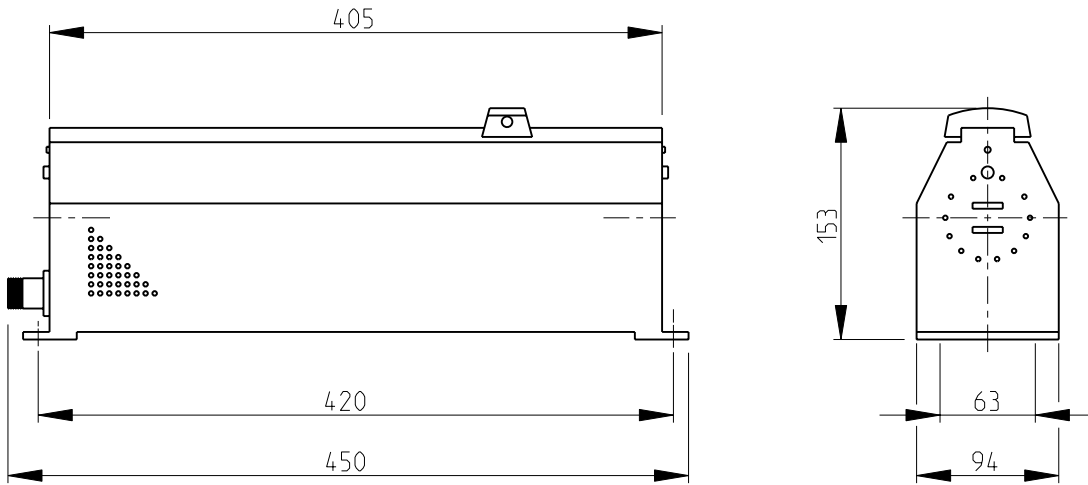
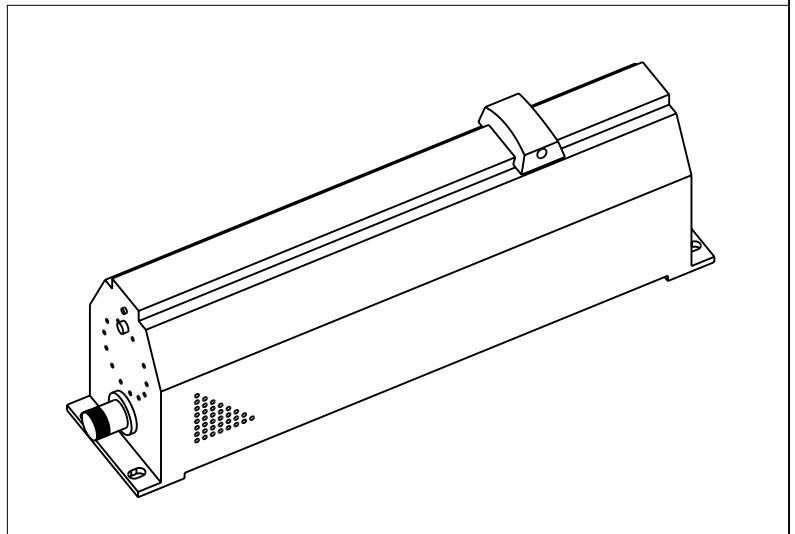


| LOC | DIST | REVISIONS | | | |
|-----|------|-------------|---------------------------|-----------|-----------|
| P | LTR | DESCRIPTION | DATE | DWN | APVD |
| E | B | A1 | REVISED PER ECO-11-005150 | 29MAR2011 | RK HMR |
| | | | | | |

FOR FURTHER INFORMATION SEE DATA SHEET FOR BFA SERIES-HIGH POWER RESISTORS



RoHS Compliant



2008

RELEASED FOR PUBLICATION

ALL RIGHTS RESERVED.

THIS DRAWING IS UNPUBLISHED.

BY -

© COPYRIGHT 2008

| | | | | | | |
|--|------------------|--------------|------------------|-----------|--------------|---------------|
| DIMENSIONS: mm | DWN | 17-NOV-08 | MATERIAL | - | FINISH | - |
| | CHK | 17-NOV-08 | TE Connectivity | | | |
| TOLERANCES UNLESS OTHERWISE SPECIFIED: | APVD | 17-NOV-08 | | | | |
| | 0 PLC ±0.5 | PRODUCT SPEC | SIZE | CAGE CODE | DRAWING NO | RESTRICTED TO |
| 1 PLC ±0.2 | - | - | A 4 | 00779 | ©-1625807 | - |
| 2 PLC ±0.1 | APPLICATION SPEC | - | CUSTOMER DRAWING | | | |
| 3 PLC ± | - | - | SCALE | 1:5 | SHEET 1 OF 1 | REV A1 |
| 4 PLC ± | WEIGHT | - | | | | |
| ANGLES ±5° | | | | | | |